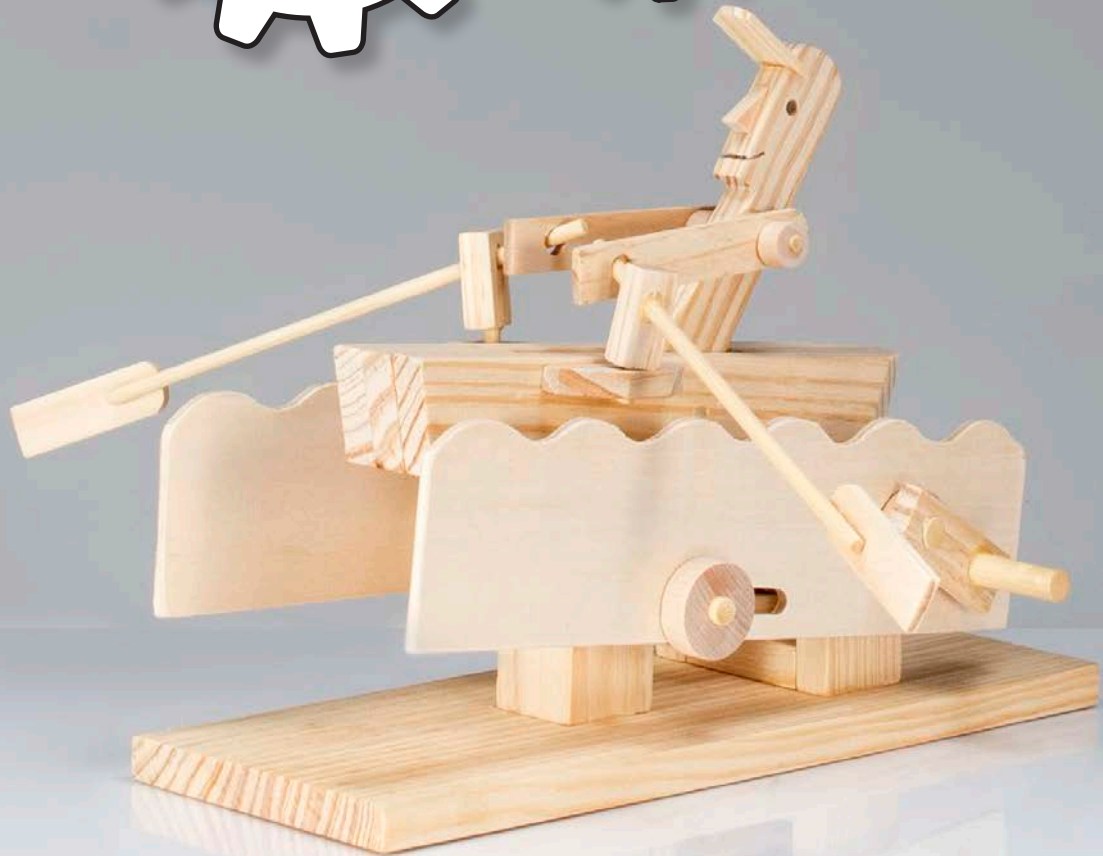


Timberkits



CE The Rower

(UK) Symbols in these instructions. (FR) Symboles des instructions. (ESP) Símbolos en estas instrucciones. (IT) Simboli in queste istruzioni. (Ger) Symbole in dieser anleitung



(UK) Waiting time.
(FR) Temps d'attente.
(ESP) Tiempo de espera.
(IT) Tempo d'attesa.
(DE) Wartezeit.



(UK) Wax surface to lubricate.
(FR) Appliquer la cire sur cette surface.
(ESP) Aplica la cera sobre esta superficie.
(IT) Applicare la cera su questa superficie
(DE) Wax Oberfläche zu schmieren.



(UK) Glue.
(FR) Coller.
(ESP) Pegar.
(IT) Incollare.
(DE) Leimen



(UK) Don't glue.
(FR) Ne pas coller.
(ESP) No pegar.
(IT) Non incollare.
(DE) Nicht leimen.



(UK) Glue guard. Prevents glue getting between moving parts during build. Remove after 2 minutes.
(FR) Piece de protection contre la colle. pendant l'assemblage, eviter tout dépôt de colle sur les pieces en mouvement. Enlever apres 2 minutes.
(ESP) Parte de protection de el pegamento. durante la fase de esambalje, evitar que el pegamento se ponga sobre partes que se mueven. Quitar despues de dos minutos .
(IT) Pezzo di protezione della colla. Durante l'assemblaggio evitare che la colla vada su parti non statiche . Imuovere dopo due minuti.
(DE) Karton. Verhindert das eindringen von leim zwischen die bewegliche teile während der montage. Zwischen die beweglichen Teile.

Helpful hints/conseils utiles/consejos utiles/suggerimentutili/nützliche tipps

(UK) Check all parts present in trays
(FR) Vérifier que toutes les pièces soient présentes dans les bacs
(ESP) Controlar que hay todas la partes en la caja
(IT) Controllare tutte le parti presenti nel kit
(DE) Bitte prüfen sie, ob alle benötigten teile vorhanden sind

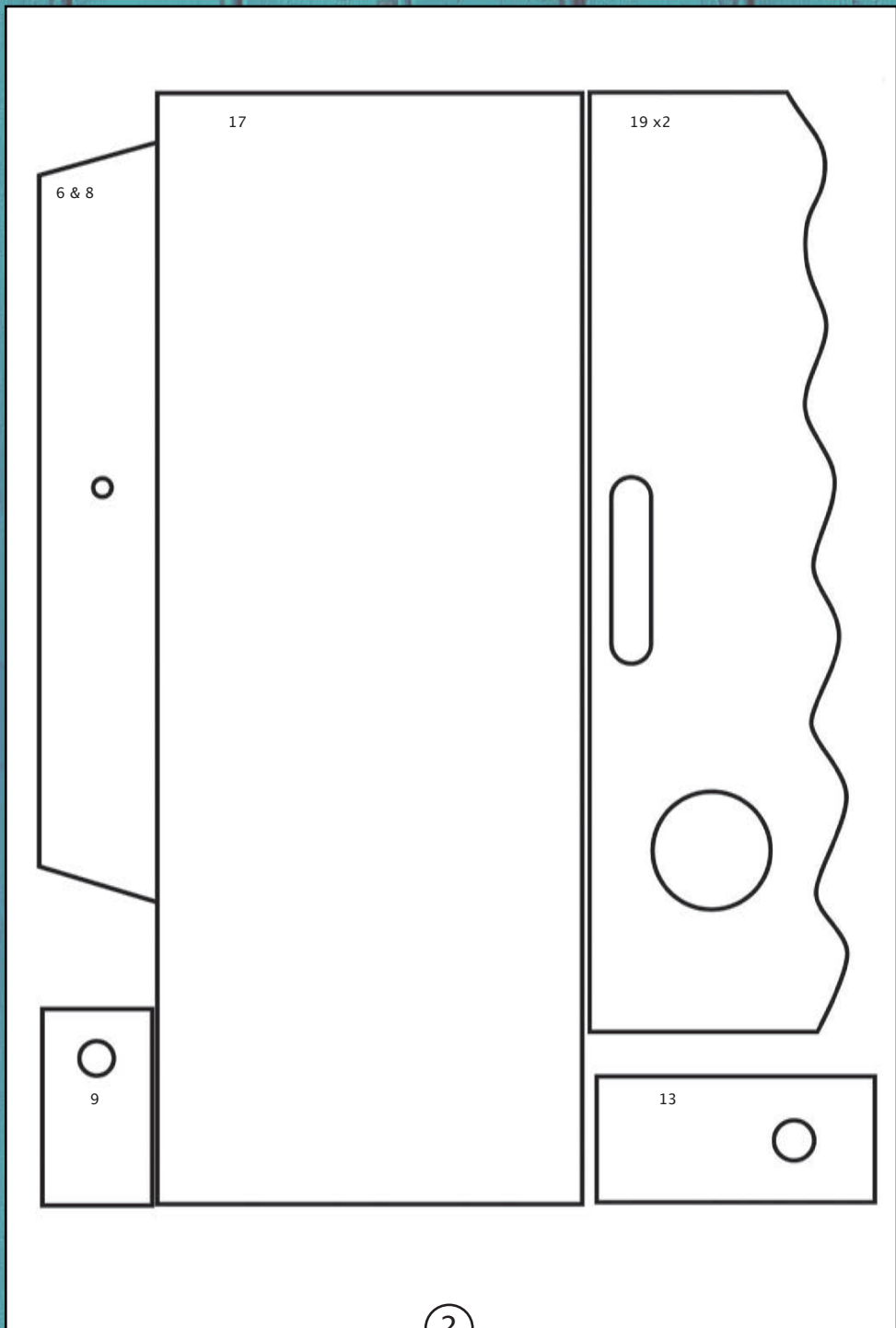
(UK) Read all instructions and look at all diagrams
(FR) Lire toutes les instructions et regarder toutes les figures
(ESP) Leer las intrucciones y guardar a los diagramas
(IT) Leggere tutte le istruzioni e guardare i diagrammi
(DE) Lesen sie alle anweisungen und betrachten sie die schaubilder

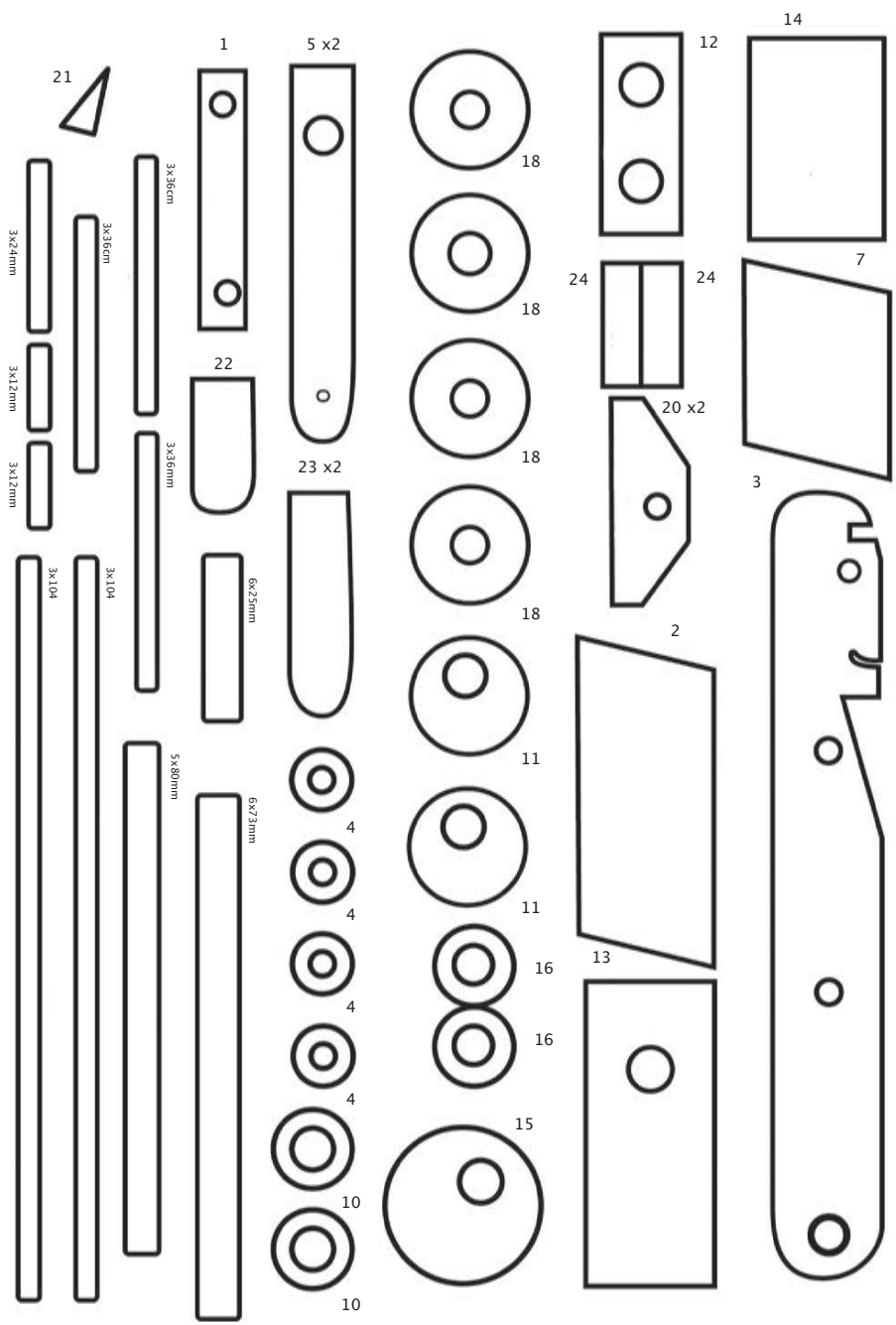
(UK) Check assembly before gluing
(FR) Vérifier le montage avant collage
(ESP) Controlar el montaje antes de empezar a pegar
(IT) Controllare l'assemblaggio prima di incollare
(DE) Montage prüfen vor dem einklebern

(UK) Some parts may need sanding
(FR) Certaines pièces nécessiteront d'être poncées.
(ESP) Algunas parte necesitan de ser suavizadas
(IT) Alcune parti potrebbero aver bisogno di levigatura
(DE) Möglicherweise müssen manche teile geschliffen werden

Colouring tips/conseils concernant l'application de peinture/ consejos para Pintar/ suggerimenti per colorare/ lackiertipps

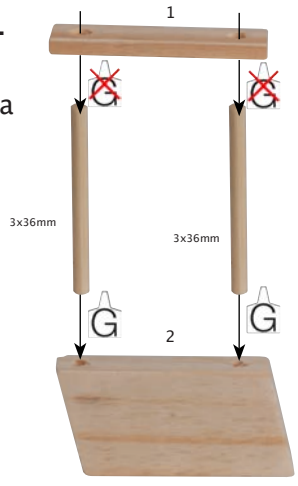
(UK) Do not apply paint to parts which move against one another. It is easier to paint some parts before assembling
(FR) Ne pas appliquer de peinture sur les parties qui se déplacent l'une contre l'autre. Il est conseillé de peindre avant assemblage
(ESP) No aplique la pintura sobre las partes que se tocan. Resulta mas facil pintar las partes antes de montar.
(IT) Non applicare la pittura su quelle parti dove ce attrito con un'altra parte. è piu semplice pitturare alcune parti prima della fase di assemblaggio.
(DE) Teile, die aneinander reiben, sollten nicht lackiert werden. Fertig lackierte teile sind off leichter zu montieren



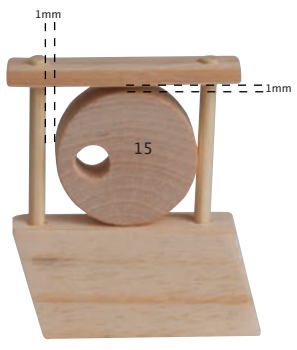


1

1a



1b

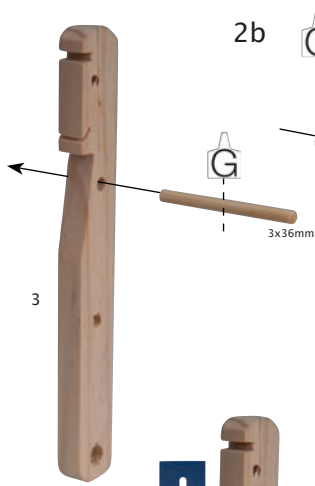


1c

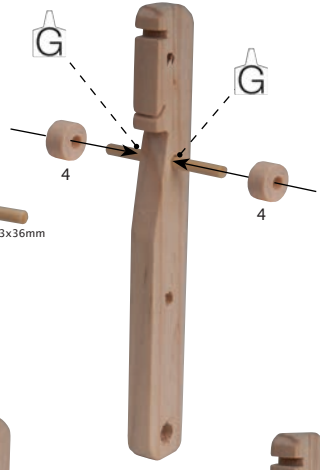


2

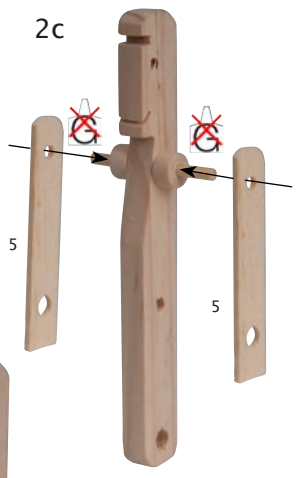
2a



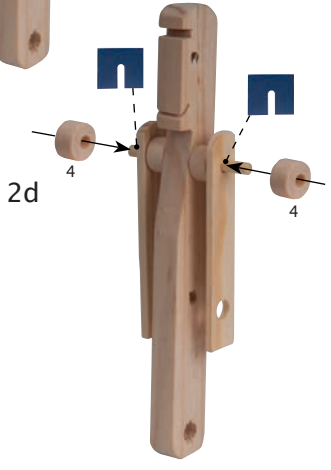
2b



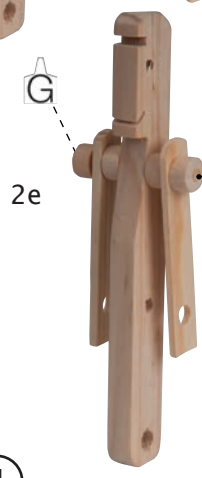
2c



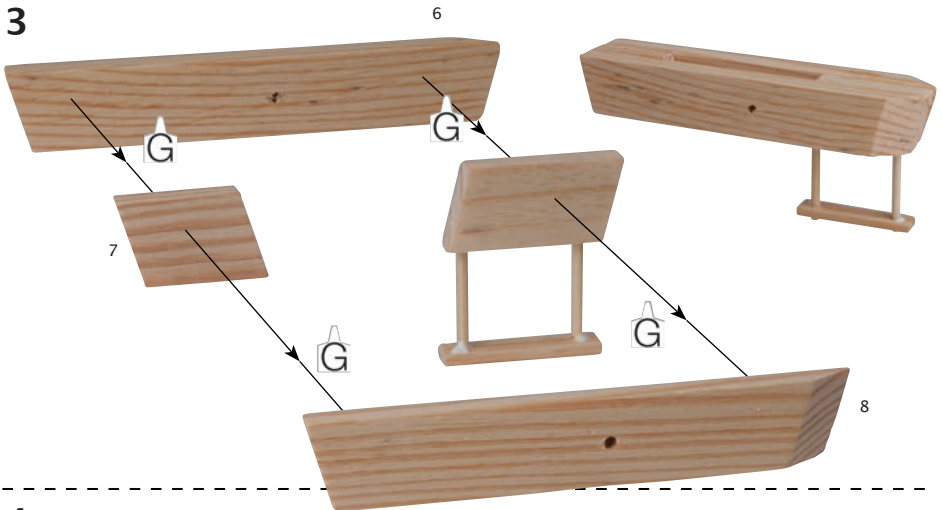
2d



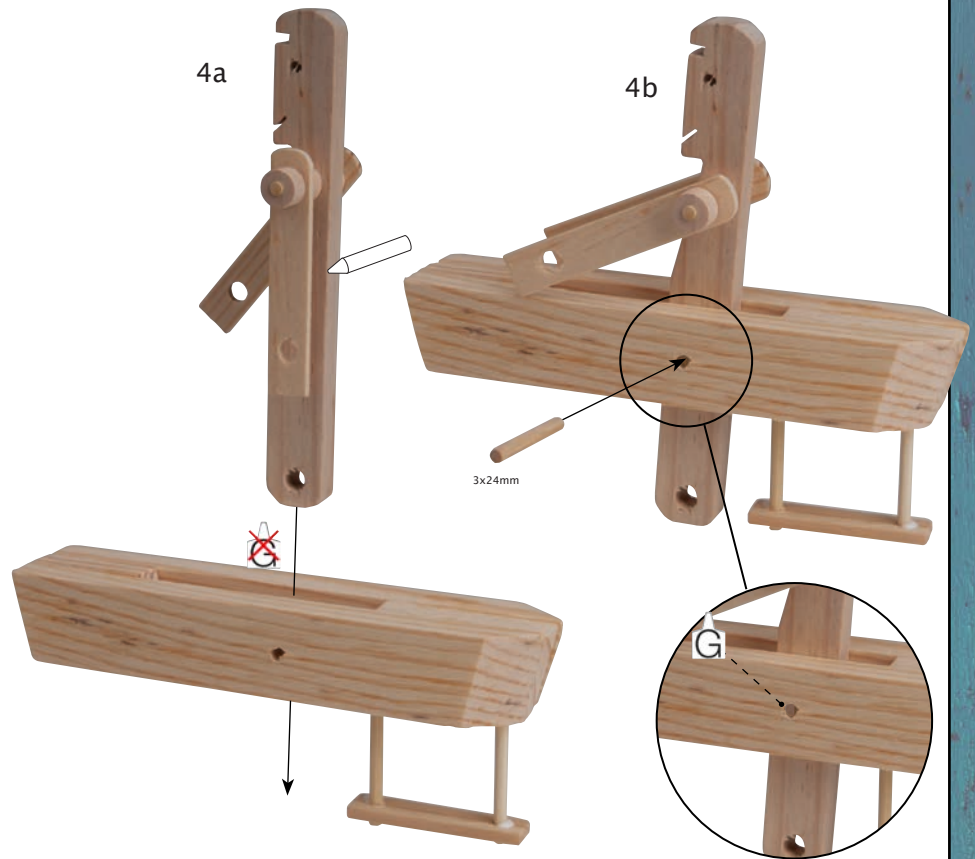
2e



3



4



5

5

5a



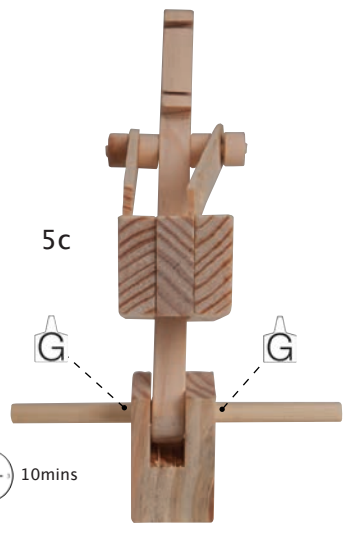
5b



5x80mm

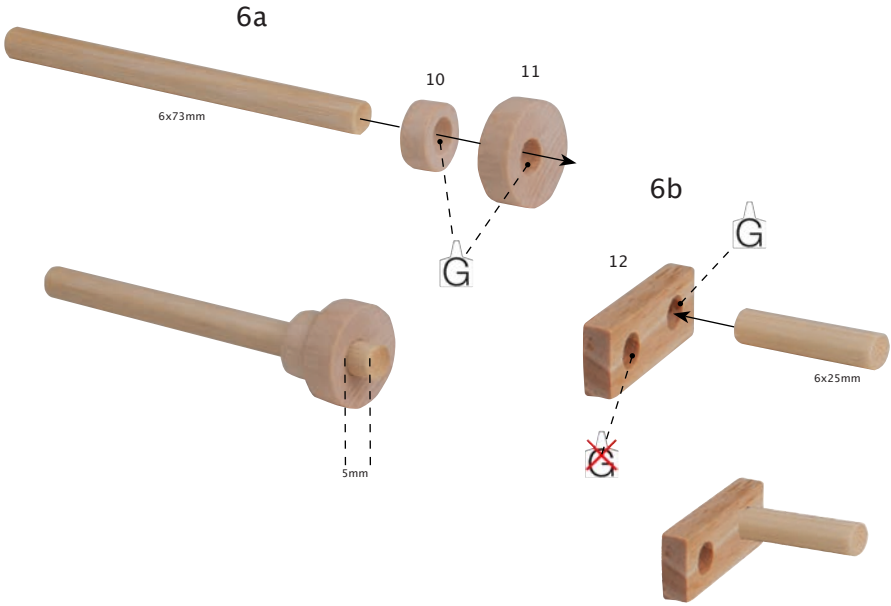


5c

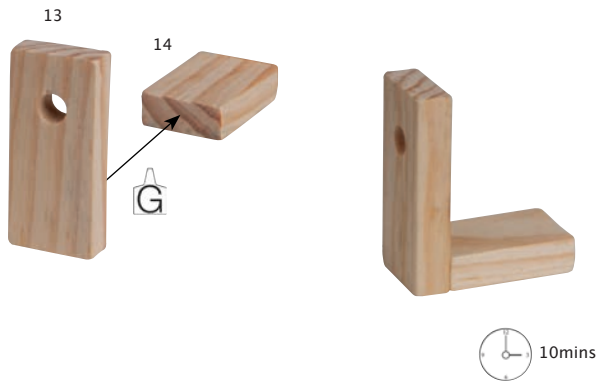


10mins

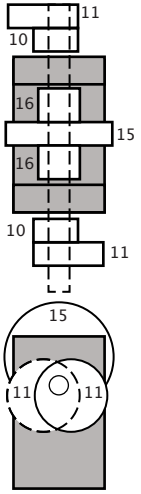
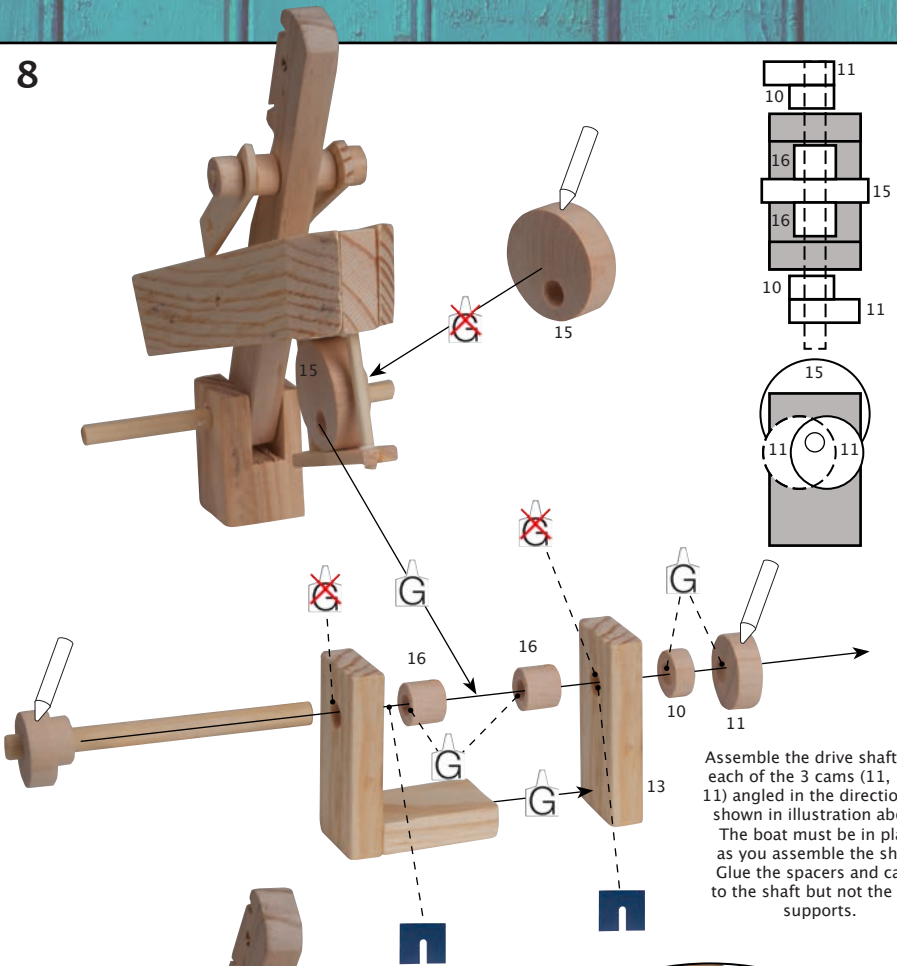
6



7



8



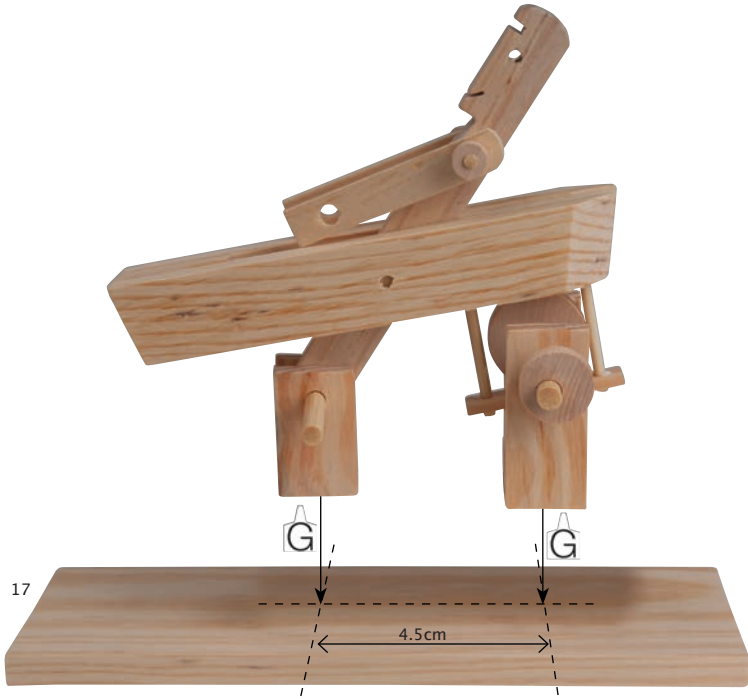
Assemble the drive shaft with each of the 3 cams (11, 15 & 11) angled in the directions as shown in illustration above. The boat must be in place as you assemble the shaft. Glue the spacers and cams to the shaft but not the side supports.



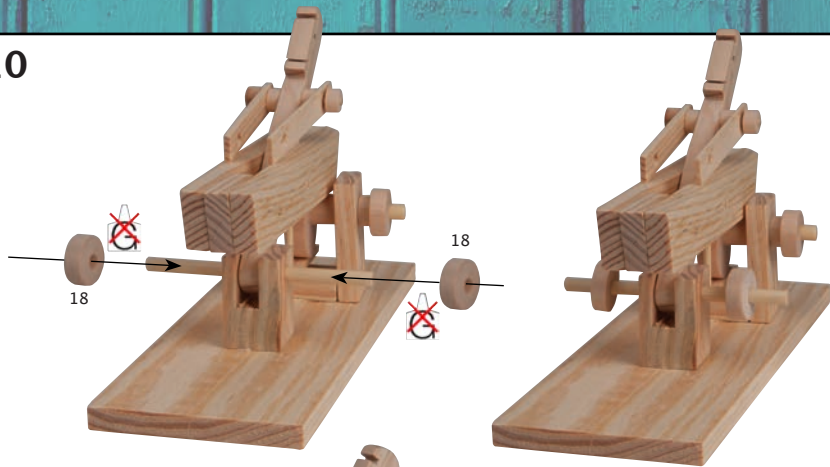
 30mins

8

9

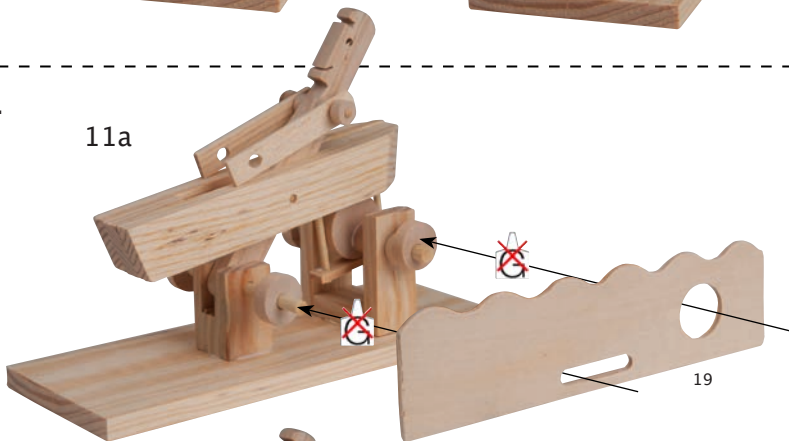


10

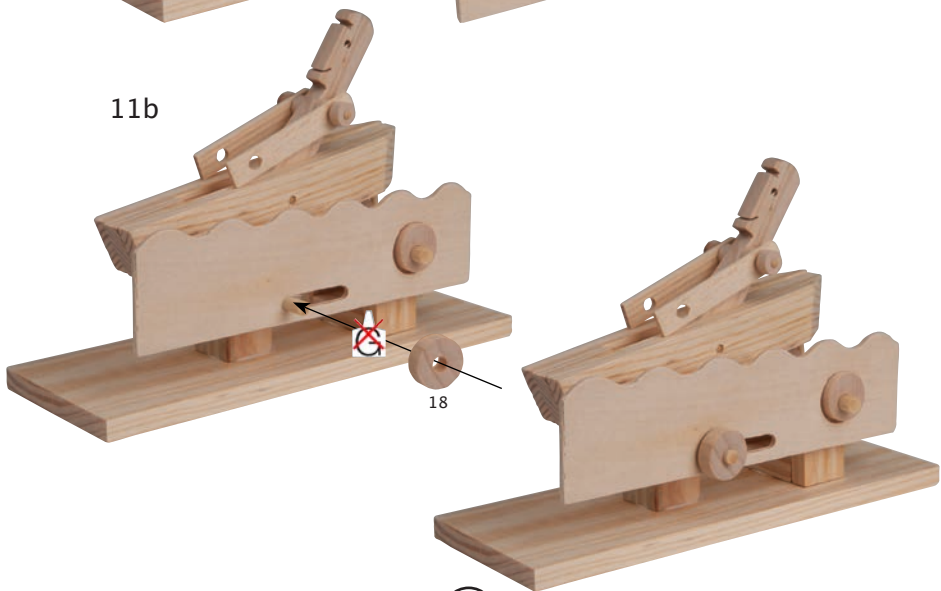


11

11a

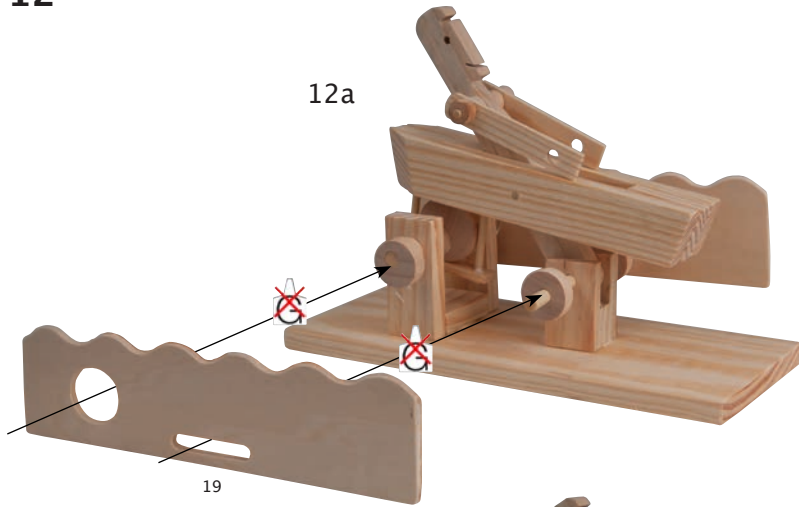


11b

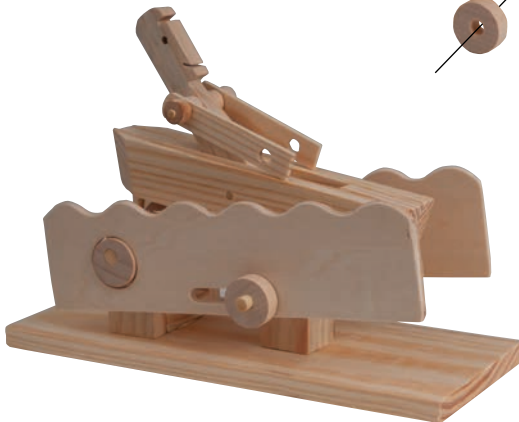
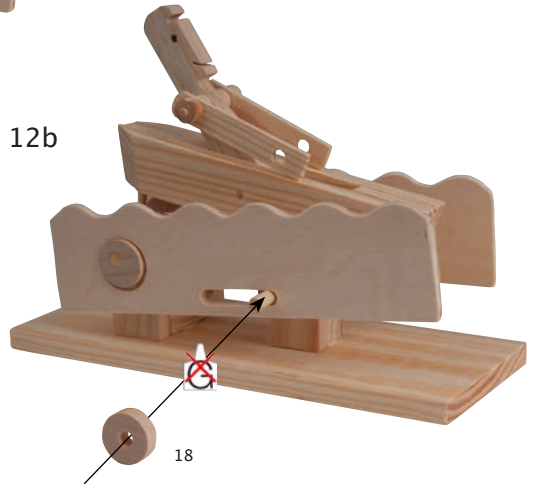


12

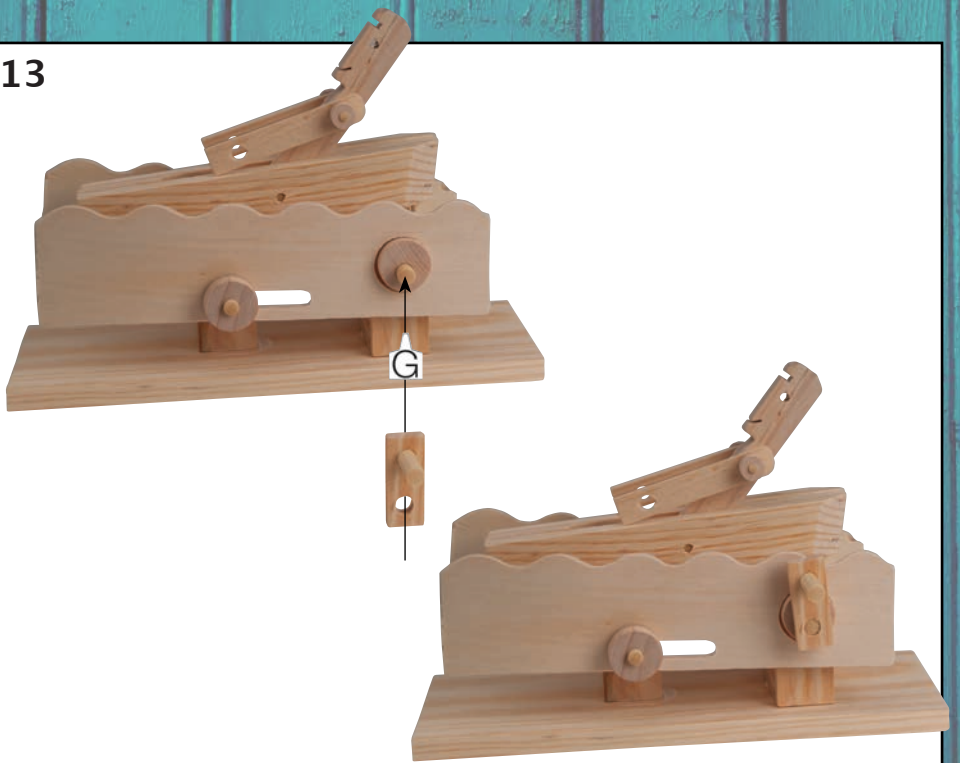
12a



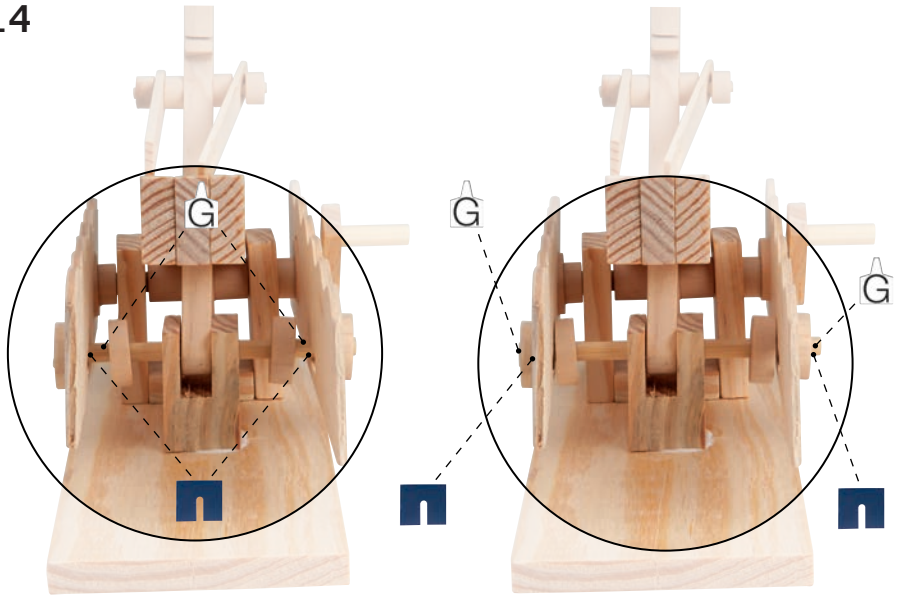
12b



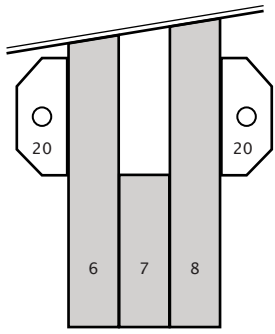
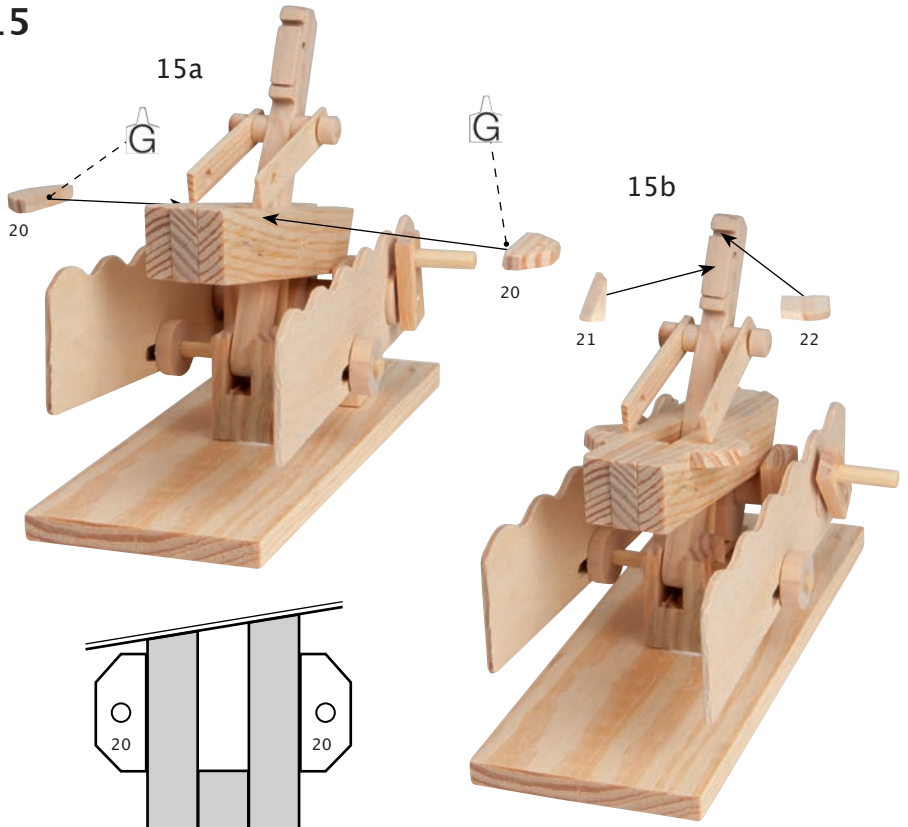
13



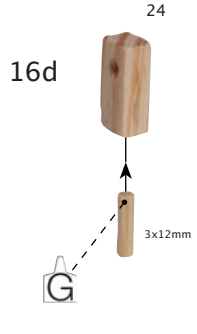
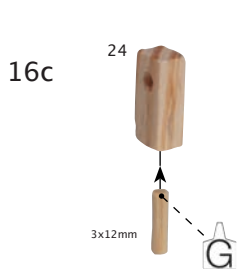
14



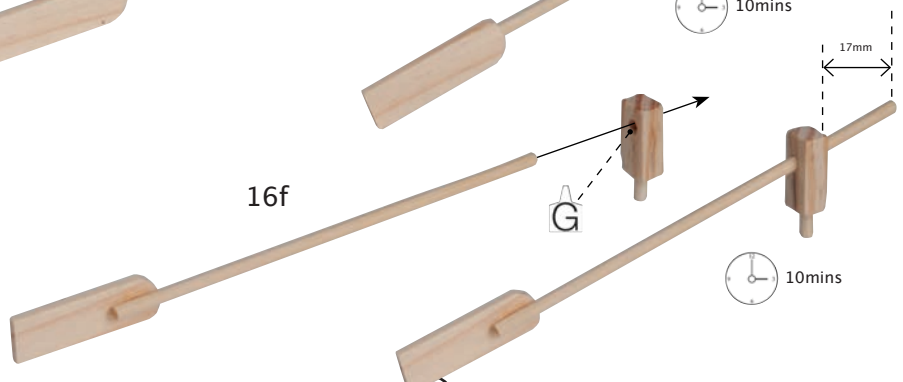
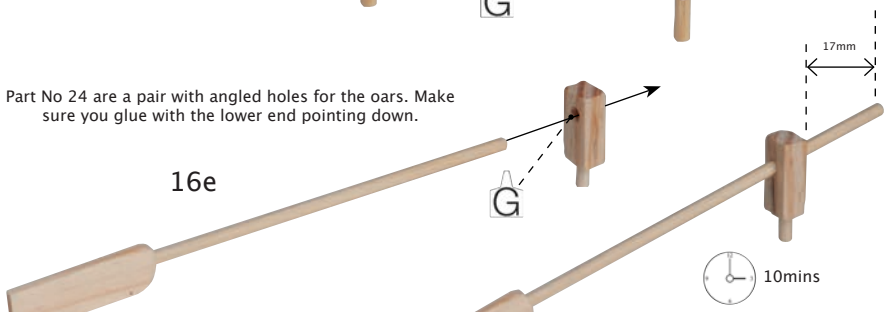
15



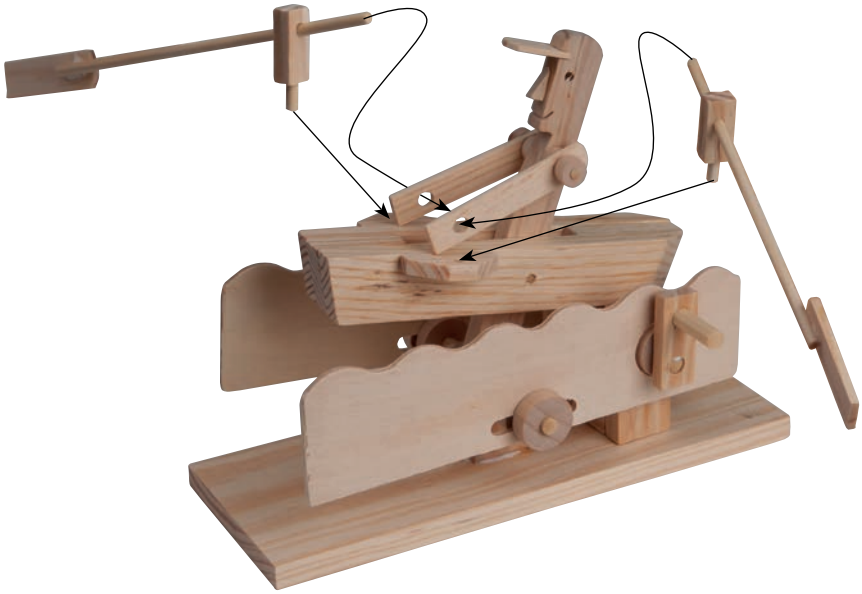
16



Part No 24 are a pair with angled holes for the oars. Make sure you glue with the lower end pointing down.



17



15

Notes



DESIGN COMPETITION

The Timberkits Design Competition is your chance to see your own Timberkits creation in production, win a prize and see your name in print on the box.

THE RULES ARE SIMPLE

- Design, build and send in a completed model, which must work smoothly and efficiently and be of a similar size to our Timberkits range of models
- Models must be constructed largely from solid wood, using plywood only if absolutely necessary
- Post your working model to: Timberkits Ltd, The Old Village Hall, Llanbrynmair, Powys, SY19 7AA marked "Design Competition" before 31st December each year (The competition is held every year). Please remember to include your address for us to contact you and return your model
- The winners and runners up will be announced on our website and contacted at their home address by February 28th each year
- The winning design will become the property of Timberkits, but full credit and publicity will be given to the designer on the kit box

THE PRIZES

The winning design will receive £600 plus their design in production with their name accredited on the box. Runners up (up to six) will receive £50 each.

GET STARTED TODAY!

The winning design will take its place in our brochure, alongside our other popular Timberkits designs, so that hobbyists around the world can share in your creation. The runners up will also be featured on our website.

- (UK) If you enjoyed building this model why not try our others. Available directly from Timberkits Ltd or from our UK, European or worldwide retail partners. Check our website to find your nearest stockist.
- (FR) Si vous avez apprécié construire ce modèle, pourquoi ne pas en essayer d'autres. Ils sont disponibles chez Timberkits Ltd ou chez nos partenaires détaillants au Royaume Uni, en Europe et plus largement dans le monde.
- (SP) Si te has divertido con este modelo, porque no pruebas los ademas. Estan todos disponibles directamente desde Timberkit Ltd o desde las nuestra tiendas en Reino Unido, Europa o en otros continentes. Visita el nuestro sitio web para conocer el punto vendita mas cercano.
- (IT) Se ti sei entusiasmato a costruire questo modello, perche non provare gli altri. Sono disponibili direttamente dalla Timberkits Ltd oppure dai nostri rivenditori in Gran Bretagna, Europa e altri continenti. Visita il nostro sito web per trovare il più vicino punto vendita.
- (DE) Wenn sie freude daran hatten, dieses modell zu bauen, wieso nicht die anderen ausprobieren. Sie können direkt bei Timberkits Ltd bestellen oder bei unseren handelspartnern in Großbritannien, Europa und weltweit. Besuchen sie unsere webseite für ihren nächstgelegenen händ-ler.

www.timberkits.com





Timberkits Limited
Old Village Hall
Llanbrynmair
Powys, SY19 7AA
00 (44) (0) 1650 521635
timber_kits@btconnect.com
www.timberkits.com

Timberkits logo and all Timberkits designs are Copyright (©) 2012 all rights reserved.

